

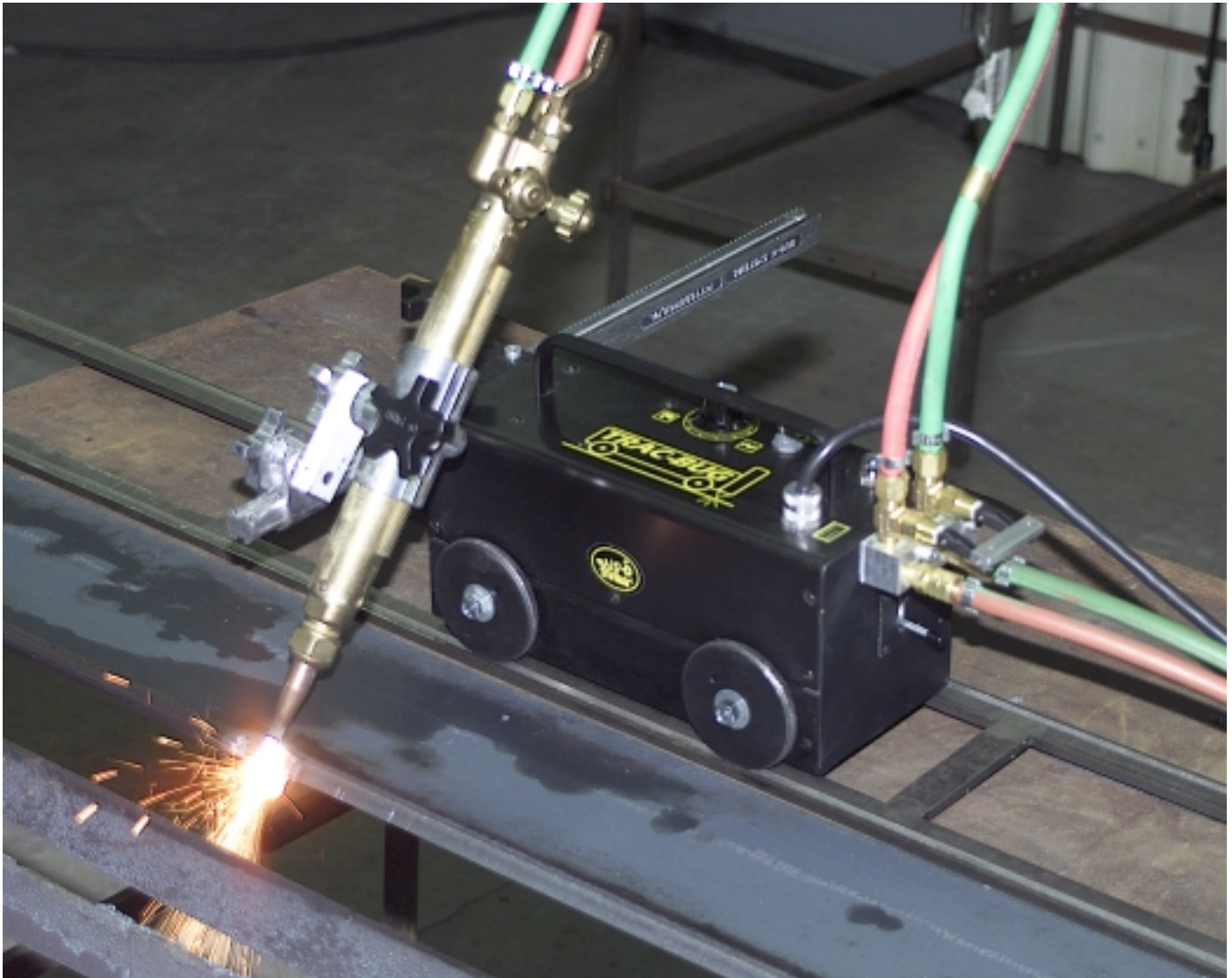
Affordable automation that increases production and improves quality.



# Trac-Bug

Straight Line Track Burning Machine.

**Produce machined quality cuts and bevels with Oxy-Fuel or Plasma.**



The **Trac-Bug** is a compact friction drive cutting machine that will ride on any standard 6" (152 mm) V-grooved track. A solid-state variable speed control allows the Trac-Bug to travel and carry a torch at precise speeds producing a machined quality cut or bevel. Plate cutting and welding preparation can now be done quickly and with a high degree of precision. Quality bevels produced with the Trac-Bug reduce fit-up and grinding time and lay a foundation for a stronger weld.



**BUG-O SYSTEMS**

A DIVISION OF WELD TOOLING CORPORATION

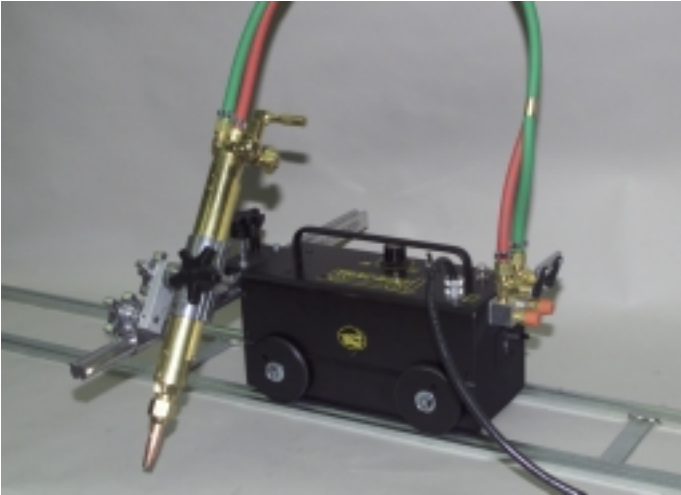


3001 WEST CARSON STREET PITTSBURGH, PENNSYLVANIA USA 15204-1899  
PHONE: 1-800-245-3186 <http://www.bugo.com> TELEFAX: 1-412-331-0383



# Trac-Bug

The Trac-Bug is available in two standard configurations, for Oxy-Fuel cutting TRB-1000 and for Plasma Cutting TRB-1500. Each version is equipped with a 22-7/8" (581 mm) geared rack with 1-3/8" (47.6 mm) diameter machine torch holder that will accommodate a 32 pitch rack.



**TRB-1000 Trac-Bug Oxy-Fuel\***  
Includes a GOF-3025 quick action manifold and a CIR-1010-3, 32" twin hose assembly.

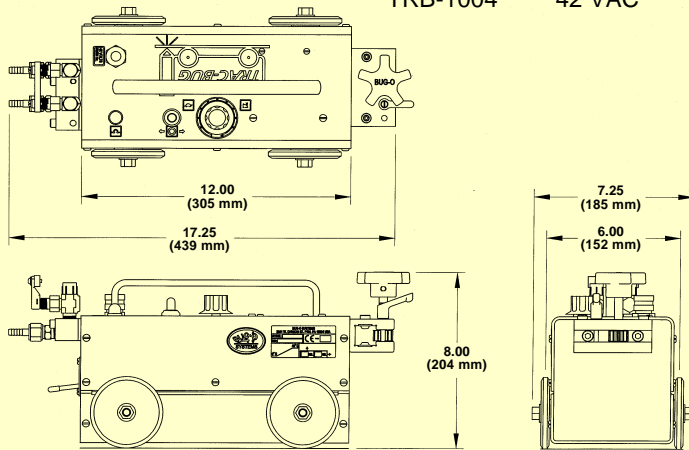
**TRB-1500 Trac-Bug Plasma\***  
Includes Bug-5485 plasma contactor and cable support.  
*\*Does not include track.*

### Technical Specifications:

**Travel Speed:** 4-72 ipm (100-1800 mm/min)    **Net Weight:** 33 lbs. (15 kg)    **Shipping Weight:** 38 lbs. (17 kg)

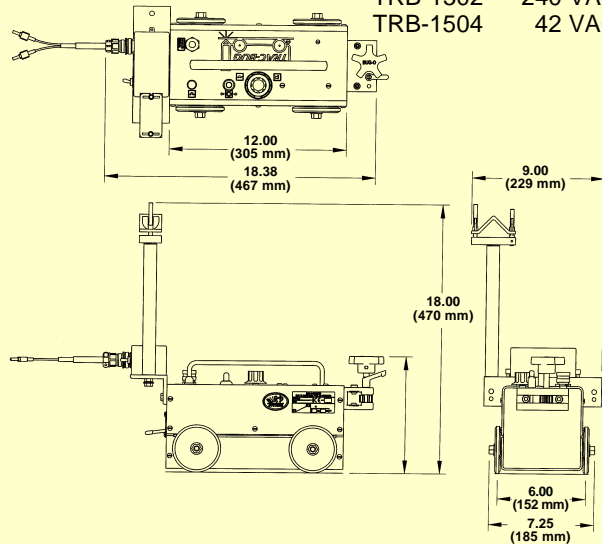
#### Trac-Bug Oxy-Fuel

TRB-1000	110 VAC
TRB-1002	240 VAC
TRB-1004	42 VAC

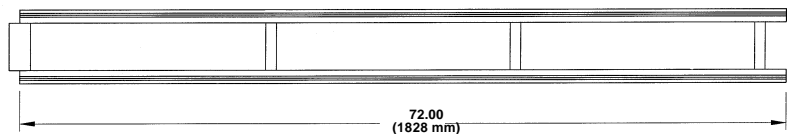
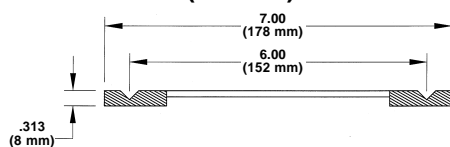


#### Trac-Bug Plasma

TRB-1500	110 VAC
TRB-1502	240 VAC
TRB-1504	42 VAC



### TRB-1250 72" (183 cm) Track.



**A QUALITY PRODUCT FROM BUG-O SYSTEMS** • 3001 WEST CARSON STREET • PITTSBURGH, PA USA 15204-1899  
A DIVISION OF WELD TOOLING CORPORATION

© Weld Tooling Corp.

LIT-TRB-BRO-0102

ROM 1:16 ∞

Litho in U.S.A.